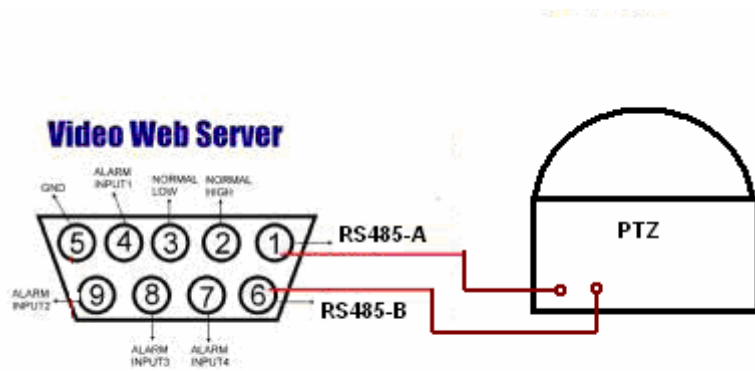


# APPENDIX #1 – DVR CONTROL

1) Connect the Sub-D plug of Video Web Server with our own brand DVR products.



2) Set the “Peripheral Control” in the system config of Video Web Server.

Note : In Peripheral, Baud rate, Device ID must be the same as PTZ default setting.

