

AVM561J



HD 1080P



Motorized Lens



Push Video



WDR



PoE



Line in / out



Solid Light



EaZy Networking



External I/O



Mobile Surveillance



MicroSD Card Recording

2MP 10X Zoom Vari-focal IP Camera

FEATURES

- Zoom lens of f5.0 ~ 50mm with **10x optical zoom, 16x digital zoom and auto focus**, suitable for various monitoring environments
- **Free P2P Cloud EaZy Networking**
 - Cloud **EaZy Networking** available to connect this device to Internet automatically in three steps with our free mobile app, EagleEyes.
 - The **Buddy** feature to share the device access permission to other people.
 - Device login / out notifications reported.
- **Line in / out** jacks available for audio transmission
- **Smart Light Control** to dynamically adjust image performance for clear and accurate images
- **Solid Light** series featuring better overexposure prevention (Advanced Smart Light Control), automatic adjustment of image brightness, and longer lifetime of LEDs
- **POE (Power-over-Ethernet)** support to eliminate the use of power cables and reduce installation costs
- **ONVIF (ONVIFS)** standard supported to simplify system integration
- **Waterproof** design on the Ethernet cable connector
- **Remote Surveillance**
 - **Fully compatible** with **iOS** and **Android** devices, and **Internet Explorer** on Windows operating system
 - Free PC program, **CMS Lite**, for 32CH devices monitoring on Windows operating system
 - **Push Video** available on your iOS and Android devices



- MicroSD card support (up to 64GB) for **video storage**
- **WDR** to increase image recognizability in overexposure and dark areas
- **External alarm I/O device** connection



● SPECIFICATIONS

■ Network

LAN Port	YES
LAN Speed	10/100 Based-T Ethernet
Supported Protocols	DDNS, PPPoE, DHCP, NTP, SNTP, TCP/IP, ICMP, SMTP, FTP, HTTP, RTP, RTSP, RTCP, IPv4/IPv6, Bonjour, UPnP, DNS, UDP, IGMP, QoS, SNMP
ONVIF Compatible	YES (Profile S)
Number of Online Users	10
Security	(1) Multiple user access levels with password (2) IP address filtering (3) Digest authentication
Remote Access	(1) Internet Explorer on Windows operating system (2) CMS Lite, 32CH CMS software for Windows operating system (3) EagleEyes on iOS & Android mobile devices

■ Video

Video Compression	H.264 (Main Profile) / MJPEG
Resolution	1920 x 1080 / 1280 x 720 / 720 x 480 / 352 x 240
Frame Rate	30/25 fps
Multiple Video Streaming	4 (H.264, MJPEG)

■ General

Image Sensor	1/2.8" SONY CMOS image sensor
Min Illumination	0.1 Lux / F1.8 (wide)~F3.2 (Tele), 0 Lux (LED ON)
Electronic Shutter	1/10,000~1/7.5
S/N Ratio	More than 48dB (AGC off)
Lens	f5.0~50mm / F1.8 ~ 3.2, 10x Optical Zoom, auto focus
Viewing Angle	1X: 58.8° (Horizontal) x 34.2° (Vertical) x 66° (Diagonal) 10X: 6.35° (Horizontal) x 3.6° (Vertical) x 7.25° (Diagonal)
IR LED	3 Units
IR Effective Range**	Default: up to 50 meters IR Enhanced Mode: up to 70 meters
IR Shift	YES
Smart Light Control	YES
White Balance	ATW
AGC	Auto
IRIS Mode	AI / Iris Priority
WDR	YES
POE	YES (IEEE 802.3af)
External Alarm I/O	YES (1 input / 1 output)
RAM	20MB
MicroSD Card Slot	YES (support up to 64GB microSD card)
IP Rating	IP67
Startup Temperature	0°C ~ 40°C
Operating Temperature	-25°C ~ 50°C
Operating Humidity	90% or less relative humidity
Power Source (±10%)	12V / 1.5A
Current consumption (±10%)	340mA (LED off) / 970mA (LED on)
Power Consumption (±10%)	15.3W max (PoE) ; 15.3W max (PoN) ; 13W max (DC Adapter)
Net Weight (kg)	1.8

■ Audio

Line in	YES (Mono)
Line out	YES (Mono)

● SPECIFICATIONS (CONTINUED)

■ Others	
TV-out	YES
Mobile Surveillance	iOS & Android mobile devices
EaZy Networking	YES
Event Notification	Push Video / FTP / Email / SMS
Digital Pan / Tilt / Zoom	YES
Motion Detection	YES
RTC (real-time clock)	YES
Minimum Web Browsing Requirements	<ul style="list-style-type: none"> • Intel core i3 or higher, or equivalent AMD • 2GB RAM • AGP graphics card, Direct Draw, 32MB RAM • Windows 10, Windows 8, Windows 7, Windows Vista & Windows XP, DirectX 9.0 or later • Internet Explorer 7.x or later (Windows Edge not supported)

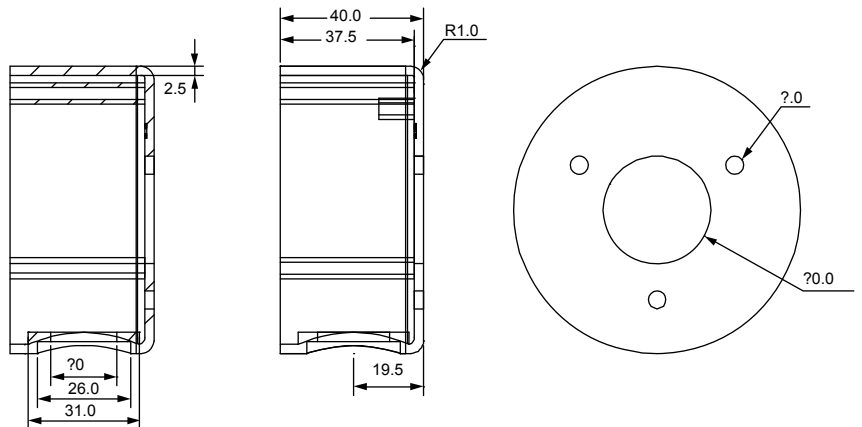
*The specifications are subject to change without notice

** Using IR enhanced mode and slow shutter speed, the distance can be extended even longer.

● OPTIONAL PERIPHERALS

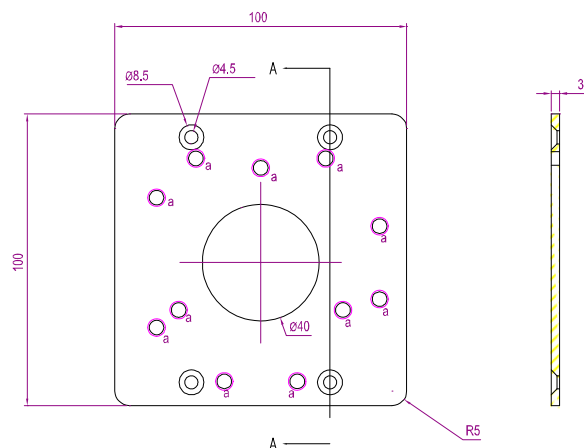
■ AVM552C-BBKT

Used as a bracket to mount the camera on the ceiling and collect the cables.



■ BULLETCON1

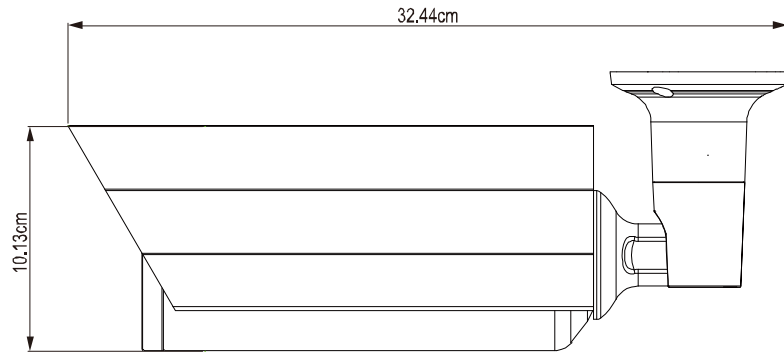
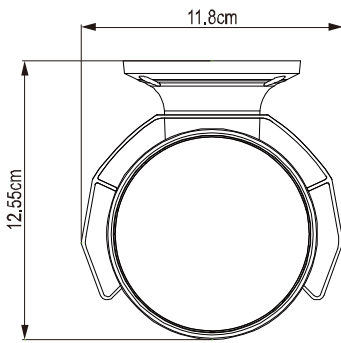
Used as a connector to install a junction box for further applications.



Dimensional tolerance: ± 5mm



● DIMENSIONS



Dimensional tolerance: ± 5 mm