

# AVM2592L



- |               |                  |                        |               |                     |
|---------------|------------------|------------------------|---------------|---------------------|
| FULL HD 1080P | PTZ              | PoE                    | External I/O  | Audio               |
| DWDR          | 20X Optical Zoom | MicroSD Card Recording | Auto Tracking | Mobile Surveillance |

## 2MP 20X PTZ IP Camera

### FEATURES

- Zoom lens of f4.7 ~ 94mm with **20x optical zoom and auto focus**, suitable for various monitoring environments
  - **PTZ control** for seamless monitoring:
    - Capable of **360° pan rotation continuously** with the tilt movement of -6° ~ 90°, allowing quick and smooth action of the camera lens
    - **Auto Tracking** to follow moving objects
    - **Hot Point** support to quickly move the camera to the specified point remotely
    - Up to **256 preset points & four sequence groups** programmable for multiple points monitoring, and **auto pan**
  - **External alarm I/O device** connection
 

A collage of three images: a person in a striped shirt, a large ship, and a door with a sensor.
  - **ONVIF (ONVIFS)** standard supported to simplify system integration
- **POE (Power-over-Ethernet)** support to eliminate the use of power cables and reduce installation costs
- MicroSD card support (up to 64GB) for **video storage**
- **Line in / out** jacks available for audio transmission
- **DWDR** to increase image recognizability in overexposure and dark areas
- IR effective range up to **200 meters** or more when the **IR Turbo** mode is on
- **IP66** for outdoor application
- **Remote Surveillance**
  - **Fully compatible** with **iOS** and **Android** devices, and **Internet Explorer** on Windows operating system
  - Free PC program, **CMS Lite**, for 32CH devices monitoring on Windows operating system
  - **Push Video** available on your iOS and Android devices when used with Push Video NVR series.



## ● SPECIFICATIONS

| ■ Network                  |  |
|----------------------------|--|
| LAN Port                   | YES  |
| LAN Speed                  | 10/100 Based-T Ethernet  |
| Supported Protocols        | DDNS, PPPoE, DHCP, NTP, SNTP, TCP/IP, ICMP, SMTP, FTP, HTTP, RTP, RTSP, RTCP, IPv4, Bonjour, UPnP, DNS, UDP, IGMP, QoS, IEEE802.1X, SNMP                           |
| ONVIF Compatible           | YES (Profile S)  |
| Number of Online Users     | 10   |
| Security                   | (1) Multiple user access levels with password<br>(2) IP address filtering<br>(3) Digest authentication   |
| Remote Access              | (1) Internet Explorer on Windows operating system<br>(2) CMS Lite, 32CH CMS software for Windows operating system<br>(3) EagleEyes on iOS & Android mobile devices |
| ■ Video                    |  |
| Network Compression        | H.264 (Main Profile) / MJPEG   |
| Video Resolution           | 1920 x 1080 / 1280 x 720 / 720 x 480 / 352 x 240   |
| Frame Rate                 | 30 fps   |
| Multiple Video Streaming   | 4 (H.264, MJPEG)   |
| Bitrate Control            | SVBR control (VBR + Max bitrate)   |
| ■ General                  |  |
| Image Sensor               | 1/2.9" CMOS image sensor   |
| Min Illumination           | 0.1 Lux / F1.6 (Wide)~F3.5 (Tele), 0 Lux (IR LED ON)   |
| Shutter Speed              | 1 / 60 (1/50) to 1 / 100,000 sec.  |
| S/N Ratio                  | More than 48dB (AGC off)   |
| Lens                       | f4.7 ~ 94mm / F1.6 (Wide) ~ 3.5 (Tele), auto focus   |
| Viewing Angle              | 1X: 60.8° (Horizontal) / 35.3° (Vertical) / 68.3° (Diagonal)<br>20X: 3.4° (Horizontal) / 1.9° (Vertical) / 3.8° (Diagonal)   |
| IR LED                     | 8 units  |
| IR Effective Distance      | Default: Up to 200 meters / IR Turbo mode: More than 200 meters  |
| IR Shift                   | YES  |
| White Balance              | Auto / 2500K / 3200K / 4200K / 5800K / 9500K   |
| AGC                        | YES  |
| IRIS Mode                  | YES  |
| Sharpness                  | YES  |
| DWDR                       | YES  |
| PoE*                       | YES  |
| External Alarm I/O         | YES (1 input / 1 output)   |
| RAM                        | 20MB   |
| MicroSD Card Slot          | YES (up to 64GB)   |
| RS-485                     | YES  |
| IP Rating (weather-proof)  | IP66   |
| Operating Temperature      | -25°C ~ 50°C   |
| Operating Humidity         | 90% or less relative humidity  |
| Power Source (±10%)        | AC 24V / DC19V   |
| Current consumption (±10%) | DC19V / 1.3A   |
| Power Consumption (±10%)   | PoE / PoN: 25W; DC Adapter: 25W  |
| Net Weight (kg)            | 6.9  |

\* When PoE is used for power supply, the IR Turbo mode might not work properly. \*\*The specifications are subject to change without notice.

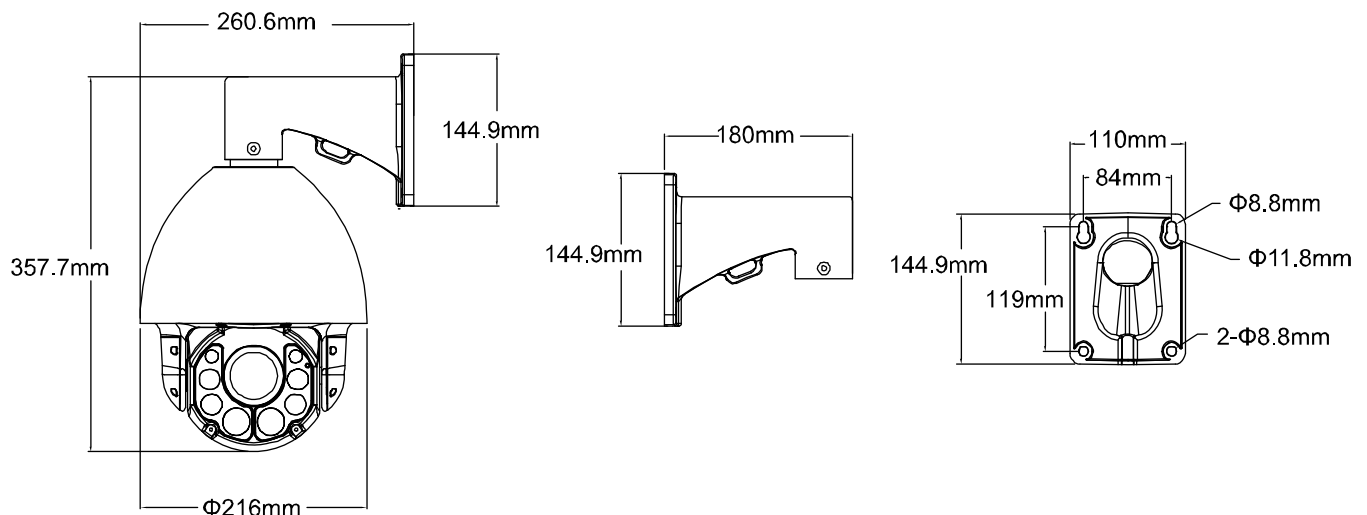


## ● SPECIFICATIONS (CONTINUED)

| ■ Audio                           |  |
|-----------------------------------|--|
| Line in                           | YES  |
| Line out                          | YES  |
| ■ PTZ Mechanism                   |  |
| Pan Range                         | 360° continuous rotation   |
| Max. Pan Speed                    | 180°/s   |
| Tilt Range                        | -6° ~ 90°  |
| Max. Tilt Speed                   | 100°/s   |
| Zoom Ratio                        | 20X Optical Zoom   |
| Max. Zoom Speed                   | Approx. 3s (Tele ~ Wide)   |
| Preset Points                     | Up to 256 preset points  |
| Sequence Group                    | <ol style="list-style-type: none"> <li>Up to four groups can be set</li> <li>One group can include up to 16 preset points</li> </ol>   |
| Auto Tracking                     | YES  |
| ■ Others                          |  |
| Mobile Surveillance               | iOS & Android  |
| Event Notification                | FTP / Email / SMS  |
| Digital Pan / Tilt / Zoom         | YES  |
| Reset Default                     | YES  |
| Motion Detection                  | YES  |
| RTC (real-time clock)             | YES  |
| Minimum Web Browsing Requirements | <ul style="list-style-type: none"> <li>Intel core i3 or higher, or equivalent AMD</li> <li>2GB RAM</li> <li>AGP graphics card, Direct Draw, 32MB RAM</li> <li>Windows 10, Windows 8, Windows 7, Windows Vista &amp; Windows XP, DirectX 9.0 or later</li> <li>Internet Explorer 7.x or later (Windows Edge not supported)</li> </ul> |

\* When PoE is used for power supply, the IR Turbo mode might not work properly. \*\*The specifications are subject to change without notice.

## ● DIMENSIONS



\*Dimensional tolerance:  $\pm 5\text{mm}$