

IP-202-5MP



CPCAM POE UHD 5MP IPCAM

FEATURES

- 1/3" CMOS sensor
- POE & DC12V Power
- Max. 5MP 2592 x 1944 output resolution
- Low illumination 0.1Lux
- Day/Night (ICR), AWB, AGC, BLC, 2D/3D-DNR, IR-CUT
- D-WDR, Motion Detection, Privacy Mask, Mirror
- RTSP and Onvif 2.6 compatible
- H.265/ H.264 dual-stream media server
- Easy-to-use P2P Cloud service
- Multi web browser, PC Client, mobile APP remote access
- Optional customization Lens/Audio /POE, etc.
- Lightning protection 4000V
- Strong water-proof housing, IP66
- Array IR Leds, IR distance 30-40 meters
- 2.8-12 mm VF lens

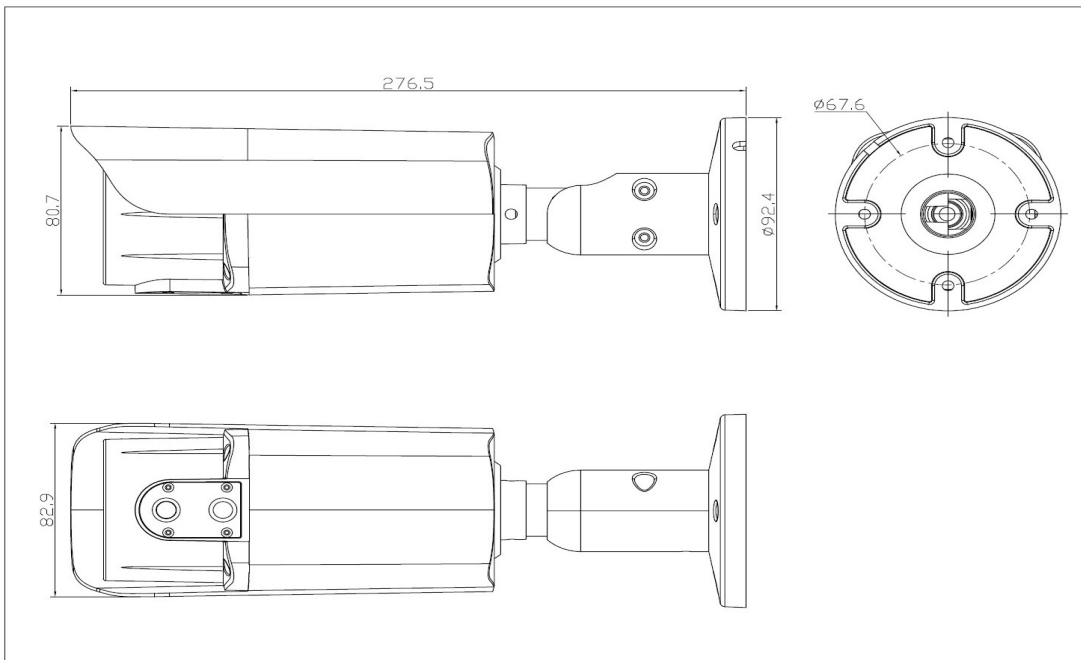
SPECIFICATIONS

Model	IP-202-5MP
Camera	
Image Sensor	1/3" CMOS
Effective Pixels	2688(H)×1520 (V)
Electronic Shutter	AUTO, 1/25s ~ 1/100000s
Min. Illumination	0.1Lux@F1.2(AGC ON), 0Lux IR on
Day/Night	Auto/Color/(B/W)/Timing
WDR	Digital WDR
White Balance	Auto/Indoor/Outdoor
Back light	Support
DNR	2D/3D DNR
Other	Motion Detection, Privacy Mask, Mirror, Flip
Encode	
Video Standard	H.265/H.264
Video Resolution	Main Stream:15fps@5MP(2592x1944), 25fps@4MP(2592x1520), 30fps@3MP/1080P/720P Sub Stream: VGA(640x480)/360P/QVGA@30fps, etc.
Video Bitrates	32Kbps - 8Mbps, VBR/CBR
OSD overlay	Support multiple lines characters overlay
IR Led	
IR Led	Array IR Leds
IR Distance	30-40 M
Lens	
Focal length	2.8 – 12 mm VF lens
Network Services	
Protocol	RTSP/FTP/PPPOE/DHCP/DDNS/NTP/UPnP
P2P	Yes
Web	IE , Firefox, etc.
Media	CMS, Android, IOS
ONVIF	2.6 compatible

➤ SPECIFICATIONS

General	
Network Port	1-RJ45, 100Mbps, POE optional
Power Supply	12 VDC \pm 10%
Power Consumption	< 8 W
Operating Temp.	-30°C-(+60)°C, 10%-90%RH

DIMENSIONS



OPTIONAL BRACKET- BRACKET(HZ55)

